



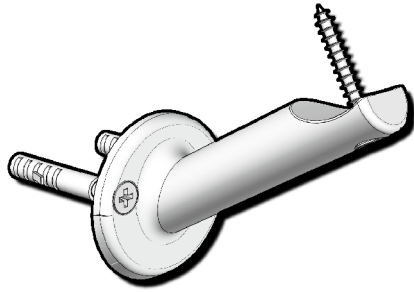
PL

STAFFA CORRIMANO A PARETE PL

PL-40A-BI
PL-40A-BZ
PL-40A-GI
PL-40A-NE

*(BI-BZ-GI-NE)

Qu.	1
X	70
Y	70
Z	150
Kg.	0.10

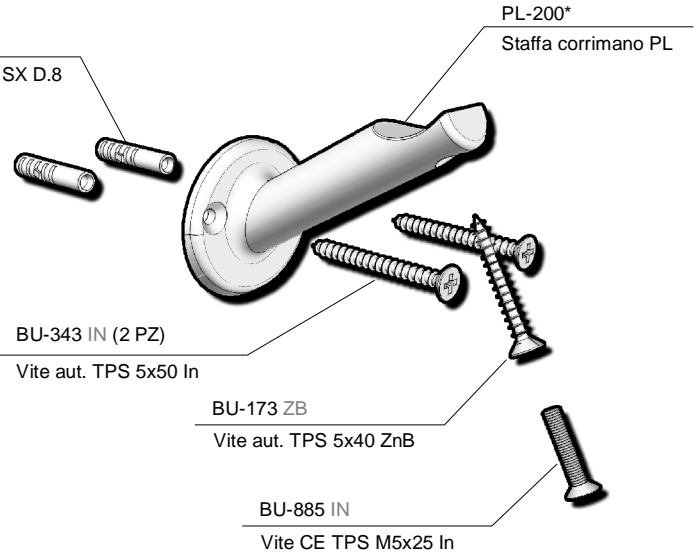


BU-85 PL (2 PZ)

Espansore Nylon SX D.8

PL-200*

Staffa corrimano PL



BU-343 IN (2 PZ)

Vite aut. TPS 5x50 In

BU-173 ZB

Vite aut. TPS 5x40 ZnB

BU-885 IN

Vite CE TPS M5x25 In

